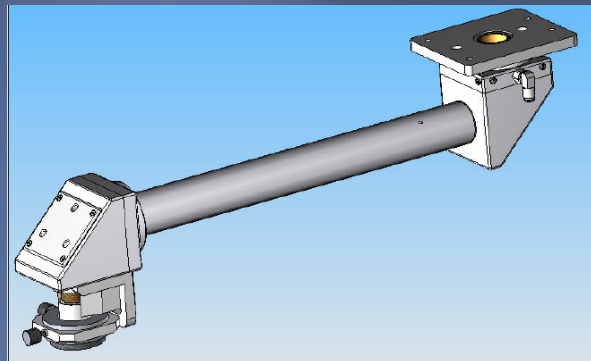


## Mirror arm for DermalInspect® more flexibility, new options for measuring

developed in Cooperation with MLL Lübeck (Dr. Hüttman)

The new developed Mirror-arm as optional upgrade for more flexibility.



3D model of the mirror arm

- More functionality
- Easy pneumatic fixation of the measuring head
- Free positioning in 360°
- Wide range of positions for measuring
- Better patient conditions
- Longer measuring periods possible
- Less movement artefacts
- "Inverse Microscopy Mode"

Mirror arm with pneumatic fixation.  
Compressor required.  
length: 570 mm  
weight: 4,5 kg

JenLab GmbH  
Johann-Hittorf-Strasse 8  
12489 Berlin, Germany  
info@jenlab.de  
www.jenlab.de